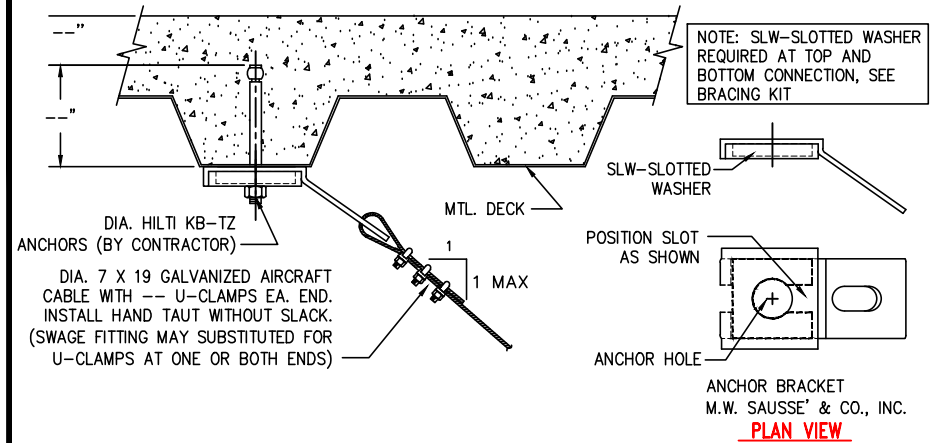


THIS SPACE IS INTENTIONALLY LEFT BLANK



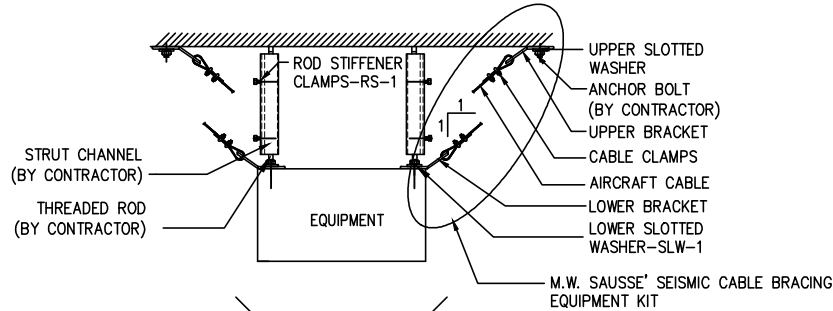
ANCHORAGE OF -- INCH DIA. AIRCRAFT CABLE IN CONCRETE

□ ALLOWABLE CABLE TENSION : - LBS. □ ALLOWABLE CABLE TENSION WITH SPECIAL INSPECTION OF ANCHOR BOLT INSTALLATION : LBS.

DETAIL - 1

DETAIL - 3

TYPICAL EQUIPMENT CABLE BRACING SYSTEM



DETAIL - 2

DETAIL - 4

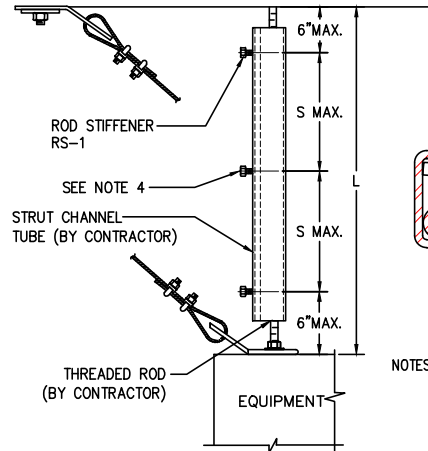


TABLE 1. (L MAX. W/O ROD STIFFENER)

ROD DIA.	3/8"	1/2"	5/8"	3/4"	7/8"
L MAX.	--"	--"	--"	--"	--"

TABLE 2. (L MAX. W/ ROD STIFFENER)

ROD STIFFENER	12GA. X 1-5/8" X 1-5/8" STRUT CHANNEL
L MAX.	--"

TABLE 3. (S MAX. W/ ROD STIFFENER)

ROD DIA.	3/8"	1/2"	5/8"	3/4"	7/8"
S MAX.	--"	--"	--"	--"	--"

NOTES: 1) SEE TABLE 1 FOR MAXIMUM LENGTH OF 3/8" THRU 7/8" DIAMETER RODS WITHOUT ROD STIFFENER.
2) SEE TABLE 2 FOR MAXIMUM LENGTH OF 3/8" THRU 7/8" DIAMETER RODS WITH ROD STIFFENER.
3) SEE TABLE 3 TO DETERMINE NUMBER OF ROD STIFFENER CLIPS REQUIRED.
4) (08) ROD STIFFENER CLAMPS PROVIDED IN A KIT. IF ADDITIONAL CLIPS ARE REQUIRED, CONTACT M. W. SAUSSE' & CO., INC.

RS-1 - ROD STIFFENER REQUIREMENTS FOR EQUIPMENT CABLE BRACING

NOTE: 1) CABLE IS 7 X 19 GALVANIZED AIRCRAFT CABLE.
2) CABLES TO BE INSTALLED HAND TAUT W/O SLACK.
3) FOR CABLE ANCHORAGE, SEE DETAIL - 3
4) ROD STIFFENER MAY BE REQUIRED. SEE DETAIL - 4

EQUIPMENT BRACING KIT:

(04)	UPPER BRACKET
(04)	UPPER SLOTTED WASHER
(04)	LOWER BRACKET
(04)	LOWER SLOTTED WASHER
(08)	ROD STIFFENER CLAMPS
(04)	CABLE - 10 FT.
(16)	CABLE CLAMPS



TYPE: CBK

M. W. SAUSSE' & CO., INC.

28805 INDUSTRY DRIVE, VALENCIA, CA 91355
PHONE: (661) 257-3311 FAX: (661) 257-7673