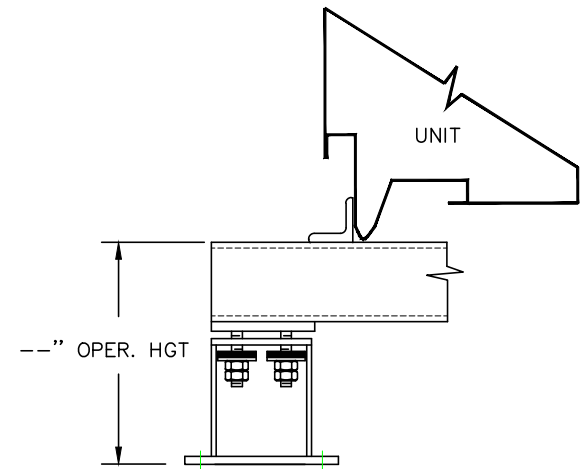
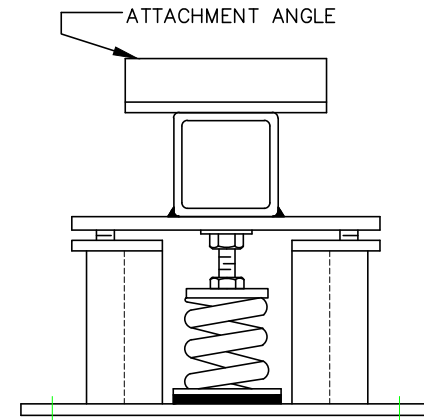
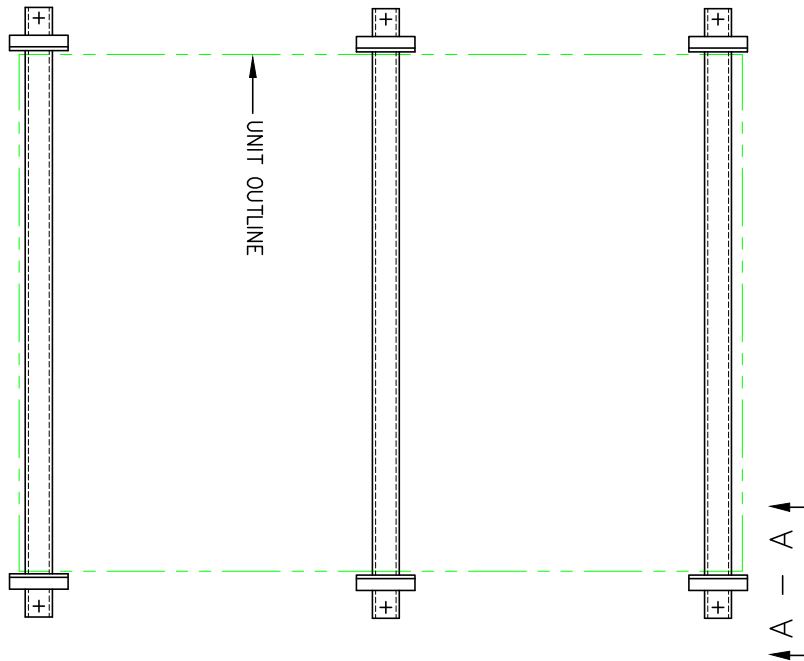


STATIC DEFLECTION: "



VIEW A-A

1. STRUCTURAL STEEL RAILS WITH O.S.H.P.D. PRE-APPROVED SPRING EARTHQUAKE ISOLATORS INCORPORATING RESILIENT LIMIT STOPS.
2. THIS IS A TYPICAL DRAWING SUBMITTED FOR APPROVAL OF TYPE ONLY. CERTIFIED DIMENSIONAL DRAWINGS ARE AVAILABLE, UPON REQUEST, WITH RECEIPT OF APPROVED EQUIPMENT SUBMITTALS.



M. W. SAUSSÉ & CO., INC.

TYPE : **RMLS-TS-EQ**

28805 INDUSTRY DRIVE, VALENCIA, CA 91355
PHONE: (661) 257-3311 FAX: (661) 257-7673