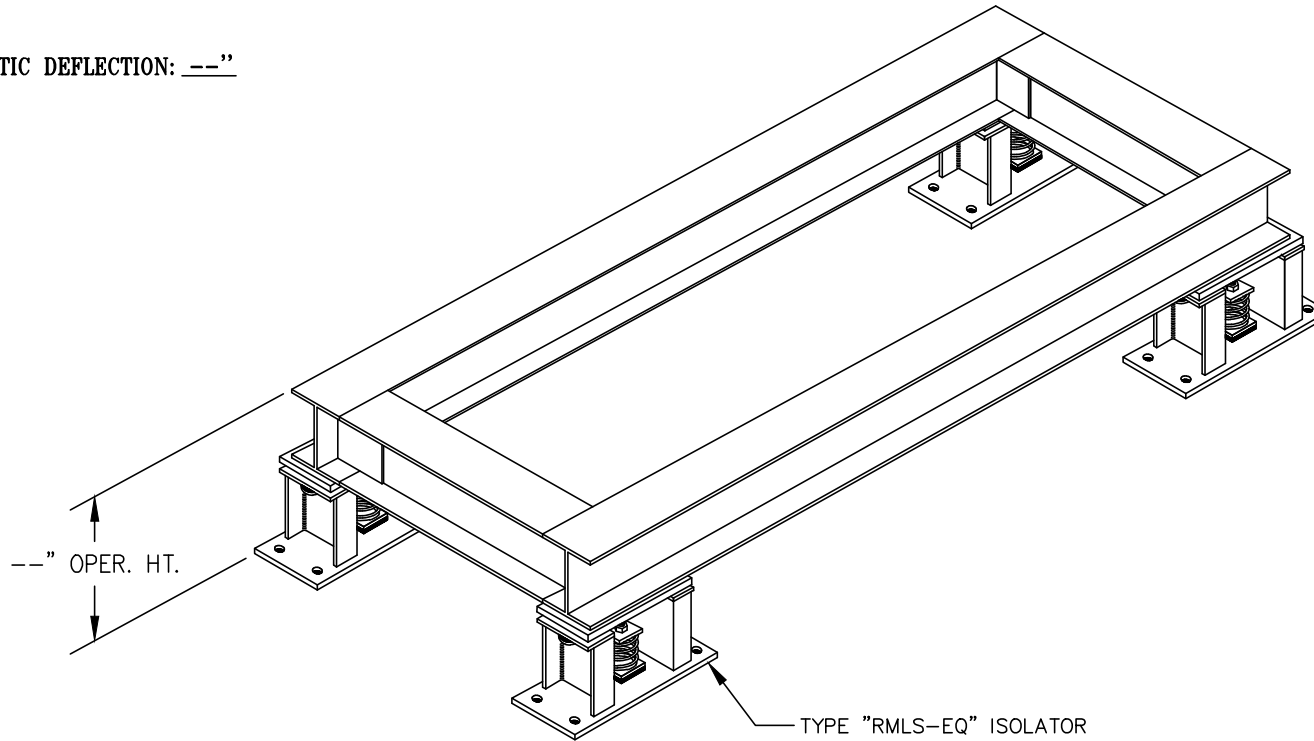


STATIC DEFLECTION: --"

ISOLATORS ARE O.S.H.P.D.
PRE-APPROVED. # OPA-0029



1. STRUCTURAL STEEL BASE WITH O.S.H.P.D. PRE-APPROVED SPRING EARTHQUAKE ISOLATORS.
2. THIS IS A TYPICAL DRAWING SUBMITTED FOR APPROVAL OF TYPE ONLY. CERTIFIED DIMENSIONAL DRAWINGS ARE AVAILABLE, UPON REQUEST, WITH RECEIPT OF APPROVED EQUIPMENT SUBMITTALS.

VibreX[®]
vibration & seismic control systems

TYPE : **RMLS-SB-EQ**

M. W. SAUSSÉ & CO., INC.

28805 INDUSTRY DRIVE, VALENCIA, CA 91355
PHONE: (661) 257-3311 FAX: (661) 257-7673