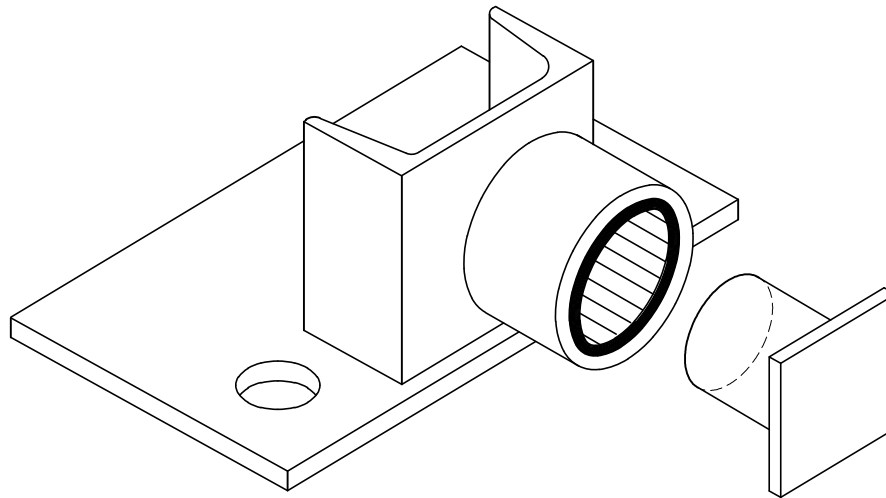


O.S.H.P.D. PRE-APPROVED.
OPA-0437



- NOTE: 1. VIBREX SERIES 3500 SEISMIC RESTRAINTS ARE DESIGNED TO RESTRAIN MOVEMENT IN ALL DIRECTIONS. WHEN RESTRAINT IS SUBJECT TO LOADING IN MORE THAN ONE DIRECTION SIMULTANEOUSLY:
2. RESTRAINT SHALL NOT BE IN CONTACT WITH INNER PIPE UNDER NORMAL OPERATING CONDITIONS.
 3. RIBBED NEOPRENE PAD IS PROVIDED ON ALL CONTACT SURFACES.
 4. THIS IS A TYPICAL DRAWING SUBMITTED FOR APPROVAL OF TYPE ONLY. CERTIFIED DIMENSIONAL DRAWINGS ARE AVAILABLE, UPON REQUEST, WITH RECEIPT OF APPROVED EQUIPMENT SUBMITTALS.

Vibrex[®]
vibration & seismic control systems

M. W. SAUSSÉ & CO., INC.

TYPE : **SR-3500**

28805 INDUSTRY DRIVE, VALENCIA, CA 91355
PHONE: (661) 257-3311 FAX: (661) 257-7673