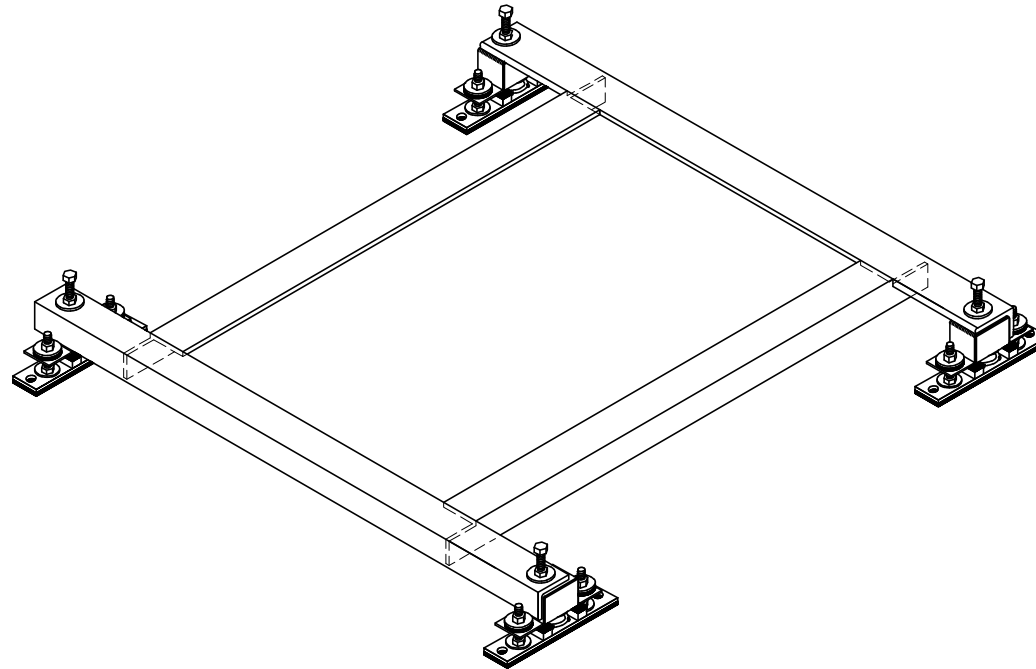


STATIC DEFLECTION:     "

ISOLATORS ARE O.S.H.P.D.  
PRE-APPROVED. # OPA-0098



1. STRUCTURAL STEEL BASE WITH ALL-WELDED CONSTRUCTION, STABLE SPRINGS WITH O.S.H.P.D. PRE-APPROVED ISOLATOR SEISMIC RESTRAINTS.
2. ATTACHMENT OF UNIT TO RAILS IS BY CONTRACTOR.
3. THIS IS A TYPICAL DRAWING SUBMITTED FOR APPROVAL OF TYPE ONLY. CERTIFIED DIMENSIONAL DRAWINGS ARE AVAILABLE, UPON REQUEST, WITH RECEIPT OF APPROVED EQUIPMENT SUBMITTALS.

**Vibrex**  
vibration & seismic control systems

M. W. SAUSSÉ & CO., INC.

TYPE: **RMUAB-EQ-SH**

28805 INDUSTRY DRIVE, VALENCIA, CA 91355  
PHONE: (661) 257-3311 FAX: (661) 257-7673