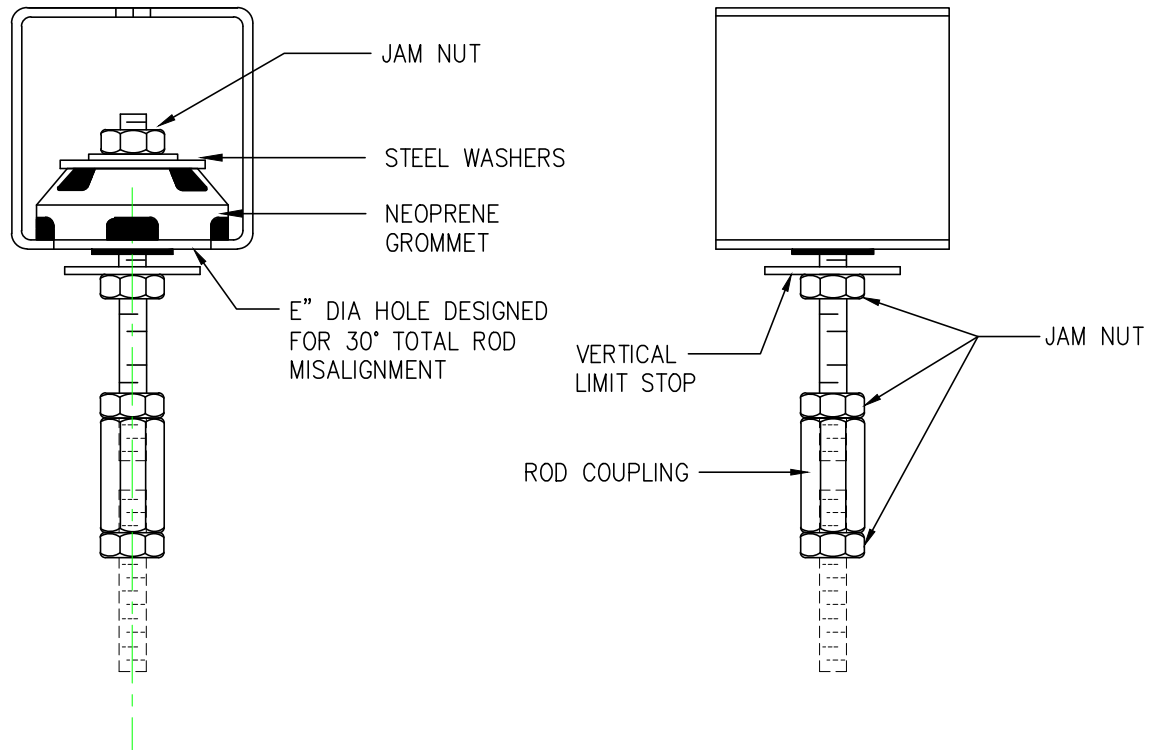


STATIC DEFLECTION: "



THIS IS A TYPICAL DRAWING SUBMITTED FOR APPROVAL OF TYPE ONLY. CERTIFIED DIMENSIONAL DRAWINGS ARE AVAILABLE, UPON REQUEST, WITH RECEIPT OF APPROVED EQUIPMENT SUBMITTALS.



M. W. SAUSSÉ & CO., INC.

TYPE: HSS-VLS-RC

28805 INDUSTRY DRIVE, VALENCIA, CA 91355
PHONE: (661) 257-3311 FAX: (661) 257-7673