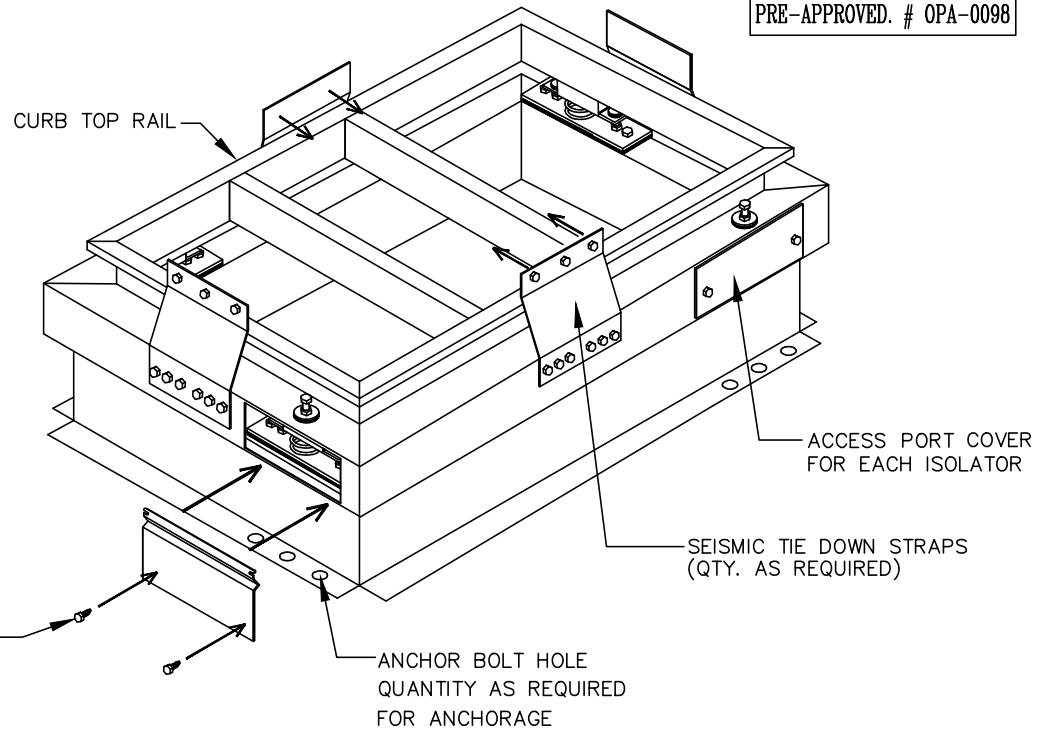
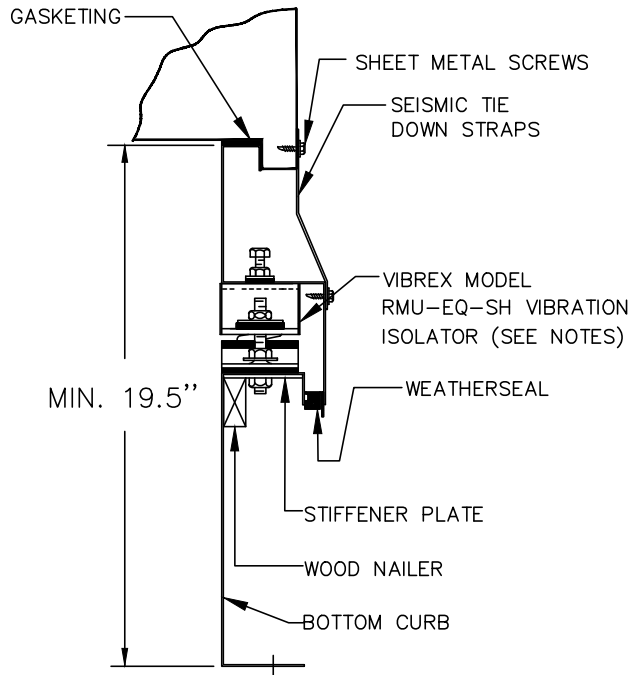


STATIC DEFLECTION: --"



ISOLATORS ARE O.S.H.P.D.
PRE-APPROVED. # OPA-0098

1. COMBINATION SEISMIC ROOF MOUNTING CURB WITH O.S.H.P.D. PRE-APPROVED SEISMIC SPRING ISOLATORS.
2. THIS IS A TYPICAL DRAWING SUBMITTED FOR APPROVAL OF TYPE ONLY. CERTIFIED DIMENSIONAL DRAWINGS ARE AVAILABLE, UPON REQUEST, WITH RECEIPT OF APPROVED EQUIPMENT SUBMITTALS.
3. PITCHED CURBS ARE AVAILABLE UPON REQUEST.

Vibrex
vibration & seismic control systems

M. W. SAUSSÉ & CO., INC.

TYPE: **VIC-EQ**

28805 INDUSTRY DRIVE, VALENCIA, CA 91355
PHONE: (661) 257-3311 FAX: (661) 257-7673