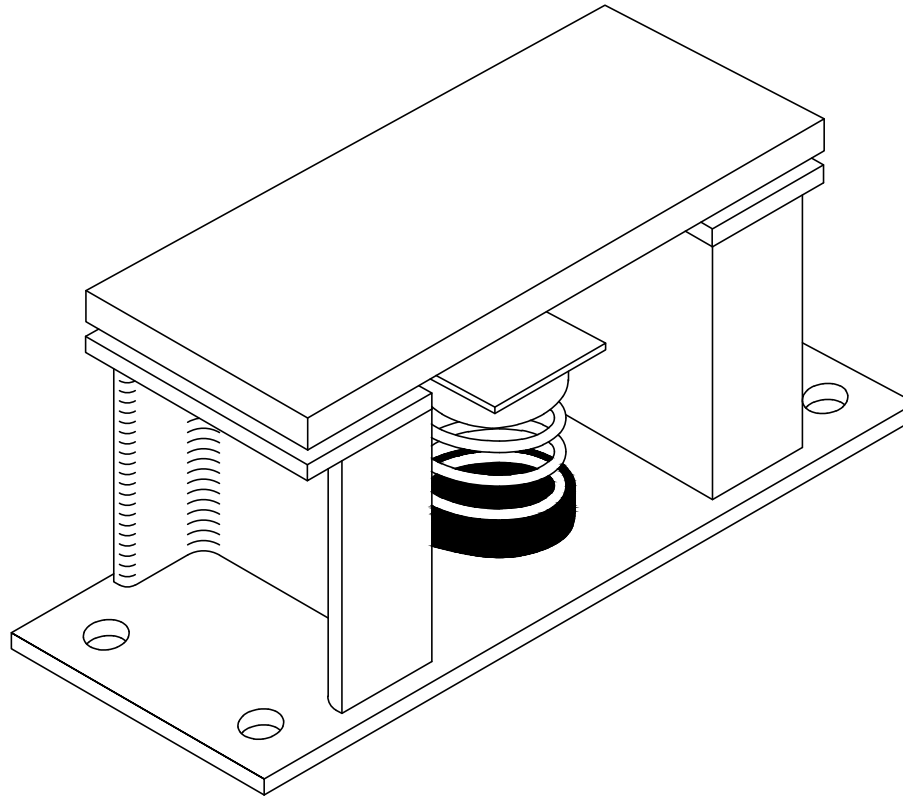


STATIC DEFLECTION:     "

ISOLATORS ARE O.S.H.P.D.  
PRE-APPROVED. #OPA-0029



1. O.S.H.P.D. PRE-APPROVED SPRING EARTHQUAKE ISOLATORS WITH RESILIENT LIMIT STOPS.
2. THIS IS A TYPICAL DRAWING SUBMITTED FOR APPROVAL OF TYPE ONLY.

**Vibrex**<sup>®</sup>  
vibration & seismic control systems

M. W. SAUSSÉ & CO., INC.

TYPE : **RMLS-EQ**

28805 INDUSTRY DRIVE, VALENCIA, CA 91355  
PHONE: (661) 257-3311 FAX: (661) 257-7673