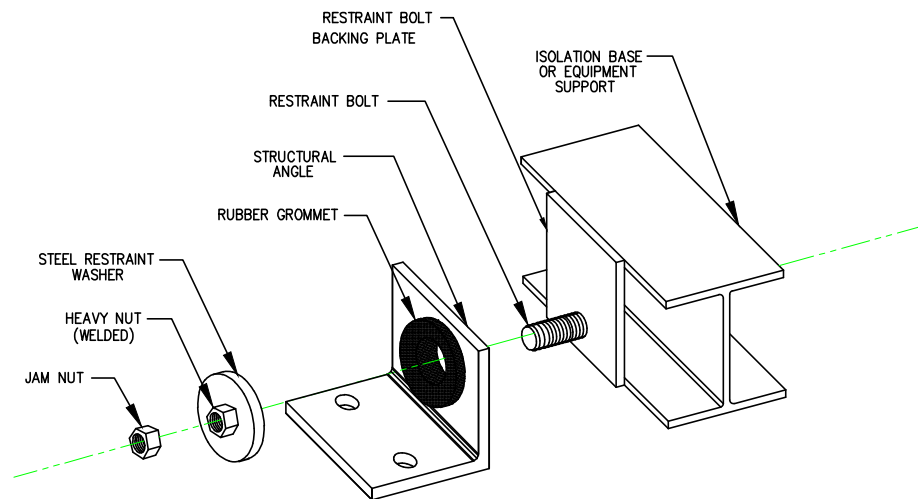


O.S.H.P.D. PRE-APPROVED.
OPA-0437



NOTE:

1. EACH RESTRAINT IN THIS SYSTEM WILL RESIST MOVEMENT IN ANY DIRECTION. A RESTRAINT BOLT WILL BE WELDED TO THE ISOLATION FRAME (OR PLATE AS SHOWN ABOVE) AND PROTRUDES THROUGH THE LARGE HOLE IN THE RESTRAINT. THE RESTRAINT WASHER ASSEMBLY CAN BE EASILY REMOVED TO CHECK CLEARANCES. THIS IS ALSO A FAVORITE OF ACOUSTICAL CONSULTANTS BECAUSE THE RUBBER GROMMET CAN BE TURNED BY HAND IF THE SYSTEM IS ADJUSTED PROPERLY AND THERE IS NOTHING TOUCHING THE GROMMET.
2. THIS IS A TYPICAL DRAWING SUBMITTED FOR APPROVAL OF TYPE ONLY. CERTIFIED DIMENSIONAL DRAWINGS ARE AVAILABLE, UPON REQUEST, WITH RECEIPT OF APPROVED EQUIPMENT SUBMITTALS.

Vibrex[®]
vibration & seismic control systems

TYPE : **SR-3200**

M. W. SAUSSÉ & CO., INC.

28805 INDUSTRY DRIVE, VALENCIA, CA 91355
PHONE: (661) 257-3311 FAX: (661) 257-7673