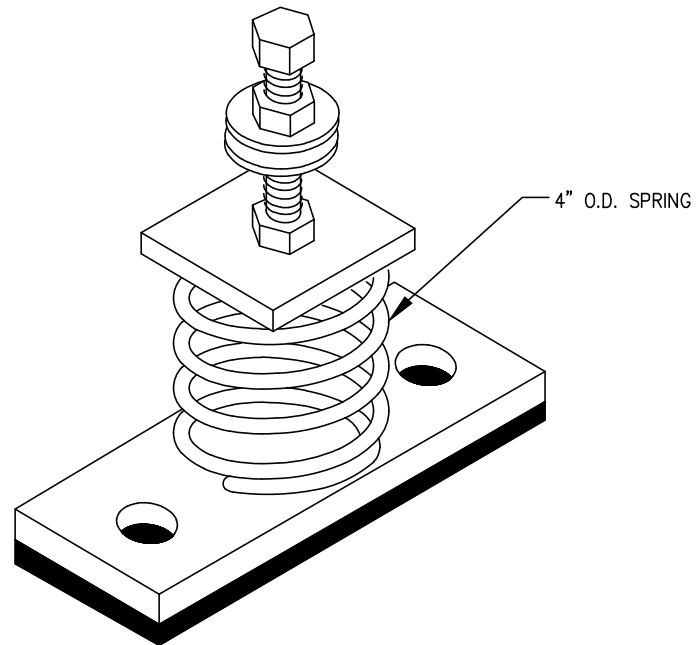


SPRING DEFLECTION: "



1. STABLE SPRING ISOLATOR WITH TOP AND BOTTOM PLATES, NEOPRENE ACOUSTICAL PAD, LEVELING DEVICE, AND ANCHOR HOLES FOR ATTACHMENT TO THE STRUCTURE.
2. ADDITIONAL SEISMIC RESTRAINTS ARE RECOMMENDED TO BRING THE APPLICATION TO CURRENT CODE.
3. THIS IS A TYPICAL DRAWING SUBMITTED FOR APPROVAL OF TYPE ONLY. CERTIFIED DIMENSIONAL DRAWINGS ARE AVAILABLE WITH THE RECEIPT OF APPROVED EQUIPMENT SUBMITTALS.



TYPE : RMS

M. W. SAUSSÉ & CO., INC.

28805 INDUSTRY DRIVE, VALENCIA, CA 91355
PHONE: (661) 257-3311 FAX: (661) 257-7673