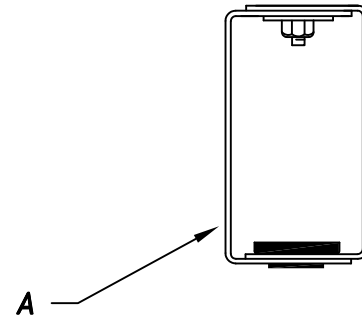
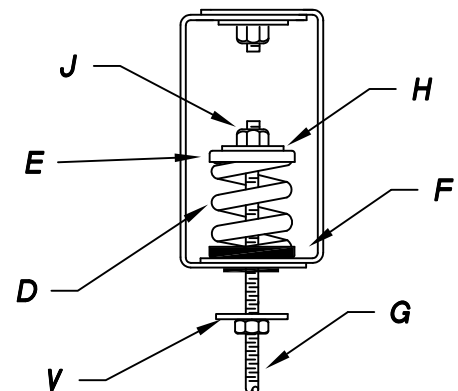


RMXA HANGER INSTALLATION INSTRUCTIONS

1. ANCHOR HANGER BOX (A) TO STRUCTURE AS SHOWN.



2. ASSEMBLE SPRING (D) AND TOP SPRING CUP (E), INTO HANGER BOX (A). MAKE SURE SPRING IS PROPERLY SEATED IN SPRING CUP (F). SLIDE THE VERTICAL LIMIT STOP (V) THROUGH THE ROD (G) AT LEAST 5" DOWN. EXTEND THREADED ROD (G) THROUGH THE ASSEMBLY. SECURE THREADED ROD WITH WASHER (H) AND NUT (J).



3. SECURE LOWER END OF THREADED ROD (G) TO UNIT BEING SUPPORTED. TAKE CARE THAT THREADED ROD IS CENTERED IN THE HANGER BOX BOTTOM HOLE.

4. IF LEVELING IS REQUIRED, ADJUSTMENTS CAN BE MADE BY BY TURNING NUT (J). AFTER LEVELING IS DONE, MOVE THE VERTICAL LIMIT STOP SO THAT THE CLEARANCE BETWEEN STOP & CUP IS 1/4" AS SHOWN.

