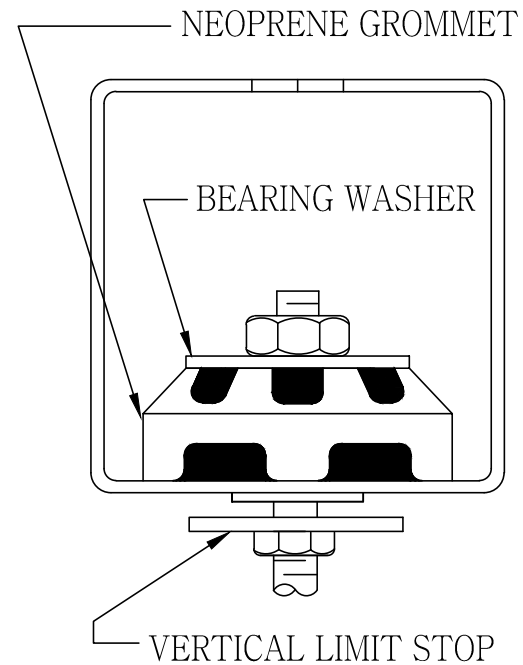
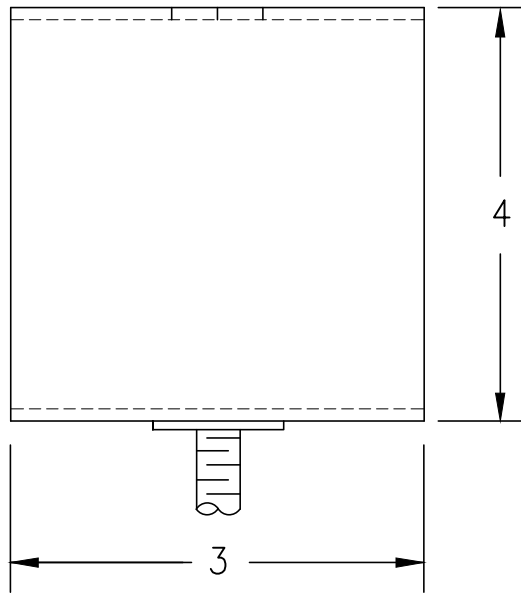


STATIC DEFLECTION: "



THIS IS A TYPICAL DRAWING SUBMITTED FOR APPROVAL OF TYPE ONLY.
CERTIFIED DIMENSIONAL DRAWINGS ARE AVAILABLE, UPON REQUEST, WITH
RECEIPT OF APPROVED EQUIPMENT SUBMITTALS.



TYPE : **HSS-VLS**

M. W. SAUSSÉ & CO., INC.

28805 INDUSTRY DRIVE, VALENCIA, CA 91355
PHONE: (661) 257-3311 FAX: (661) 257-7673