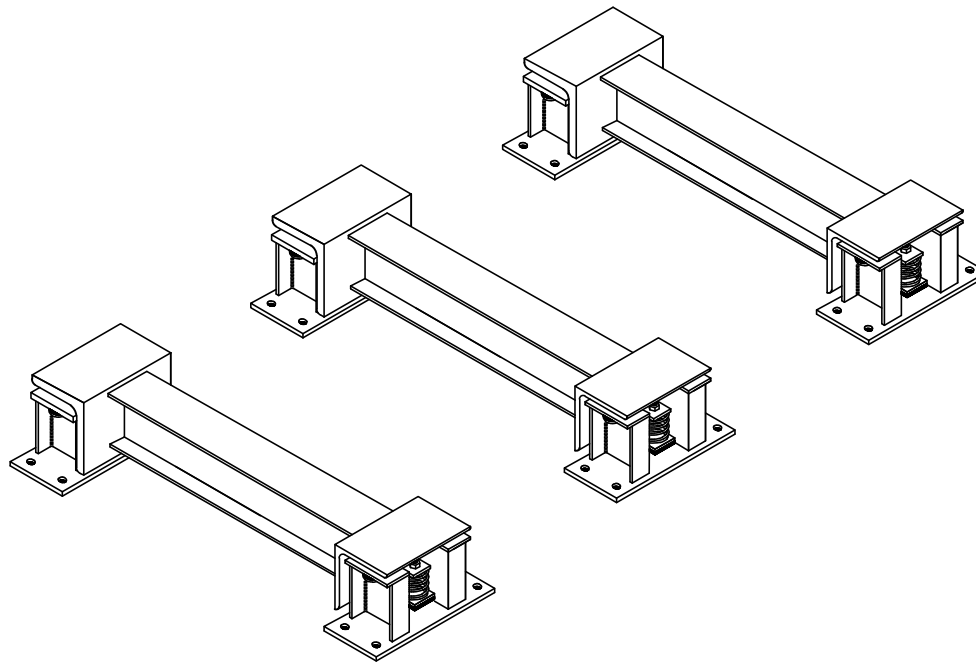


STATIC DEFLECTION:     "



1. SPACING DIMENSIONS ARE APPROXIMATE & SUBJECT TO FIELD VERIFICATION. QUANTITY OF RAILS MAY CHANGE.
2. THIS IS A TYPICAL DRAWING SUBMITTED FOR APPROVAL OF TYPE ONLY. CERTIFIED DIMENSIONAL DRAWINGS ARE AVAILABLE, UPON REQUEST, WITH RECEIPT OF APPROVED EQUIPMENT SUBMITTALS.



M. W. SAUSSÉ & CO., INC.

TYPE : RMLSR-EQ