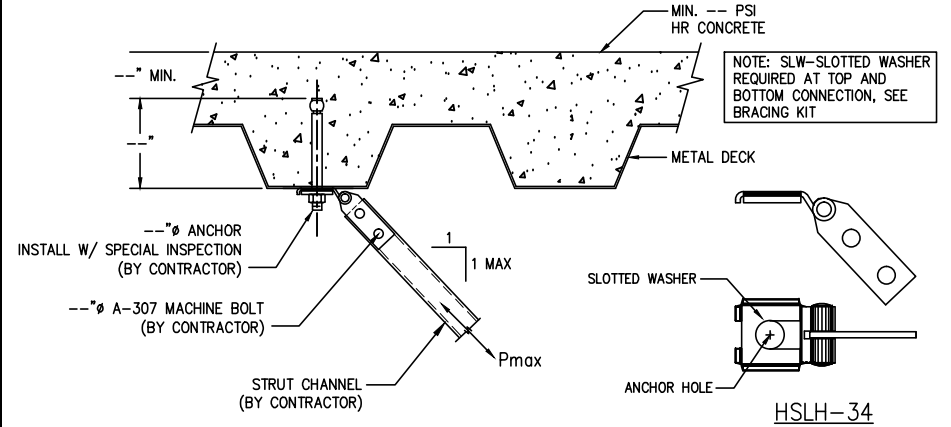


THIS SPACE IS INTENTIONALLY LEFT BLANK

DETAIL - 1

DETAIL - 3

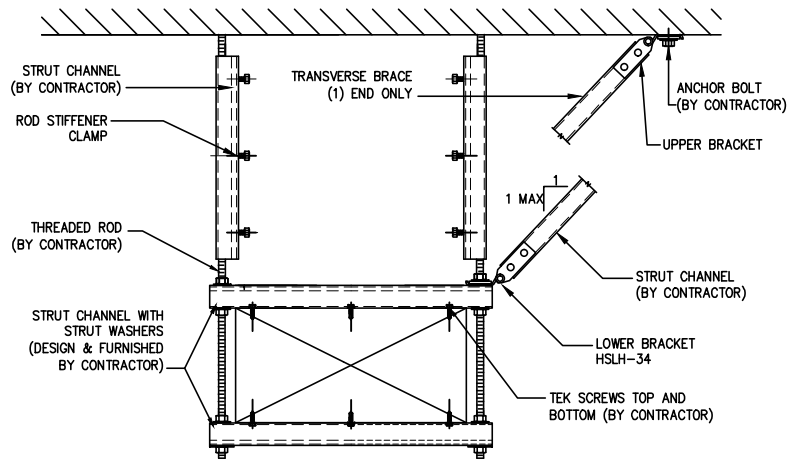


ANCHORAGE OF RIGID BRACE IN CONCRETE

ALLOWABLE Pmax: --- LBS.

DETAIL - 2

DETAIL - 4



TYPICAL RIGID BRACING SYSTEM FOR DUCT

NOTE: 1) STRUT CHANNEL BY CONTRACTOR  
 2) FOR STRUT ANCHORAGE, SEE DETAIL-3  
 3) ROD STIFFENER MAY BE REQUIRED. SEE DETAIL-4

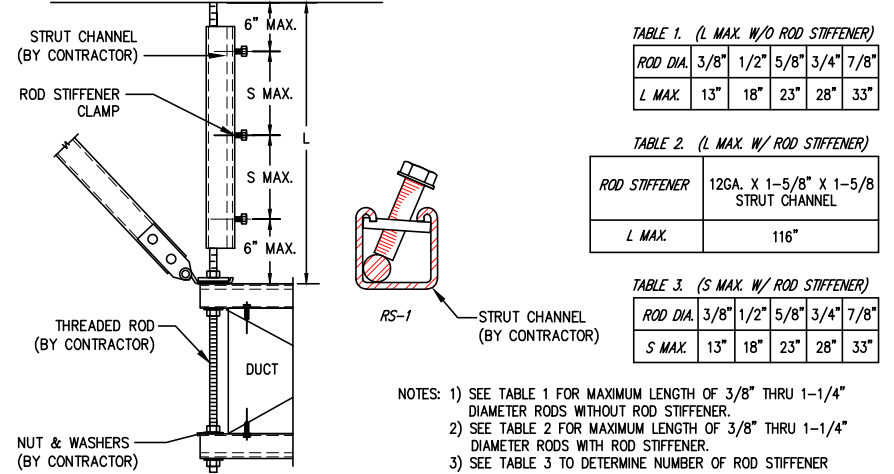


TABLE 1. (L MAX. W/O ROD STIFFENER)

ROD DIA.	3/8"	1/2"	5/8"	3/4"	7/8"
L MAX.	13"	18"	23"	28"	33"

TABLE 2. (L MAX. W/ ROD STIFFENER)

ROD STIFFENER	12GA. X 1-5/8" X 1-5/8" STRUT CHANNEL
L MAX.	116"

TABLE 3. (S MAX. W/ ROD STIFFENER)

ROD DIA.	3/8"	1/2"	5/8"	3/4"	7/8"
S MAX.	13"	18"	23"	28"	33"

NOTES: 1) SEE TABLE 1 FOR MAXIMUM LENGTH OF 3/8" THRU 1-1/4" DIAMETER RODS WITHOUT ROD STIFFENER.  
 2) SEE TABLE 2 FOR MAXIMUM LENGTH OF 3/8" THRU 1-1/4" DIAMETER RODS WITH ROD STIFFENER.  
 3) SEE TABLE 3 TO DETERMINE NUMBER OF ROD STIFFENER CLIPS REQUIRED.

RS-1 ROD STIFFENER REQUIREMENTS FOR DUCT RIGID BRACING



TYPE: RBK

M. W. SAUSSÉ & CO., INC.

28805 INDUSTRY DRIVE, VALENCIA, CA 91355  
 PHONE: (661) 257-3311 FAX: (661) 257-7673