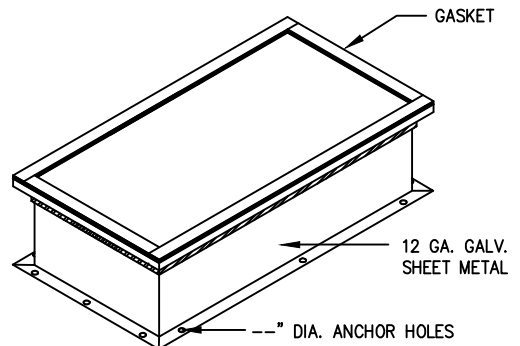
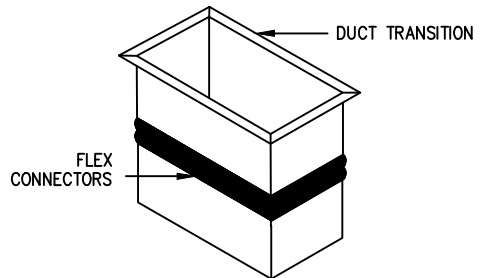


# VIBREX TYPE SRC-EQ

## INSTALLATION INSTRUCTIONS

1. LOCATE CURB ASSEMBLY IN PLACE ON SUPPORTING STRUCTURE. ( SEE MANUFACTURER'S SPEC'S FOR RECOMMENDED CLEARANCES).
2. ANCHOR CURB ASSEMBLY TO THE STRUCTURE REFER TO M.W. SAUSSE' DRAWING(S) ENCLOSED FOR MINIMUM ANCHORAGE REQUIREMENTS.
3. POSITION DUCT TRANSITION(S) AND FLEX
4. IF CURB HAS INSULATED PANELS, MAKE SURE THEY ARE IN PLACE. APPLY GASKET MATERIAL TO TOP OF CURB.
5. SET THE UNIT IN PLACE ON TOP OF THE CURB. BE SURE THAT UNIT ORIENTATION IS THE SAME AS THE MARKINGS ON THE CURB.
6. ATTACH SEISMIC TIE-DOWNS TO UNIT AS SHOWN IN M.W. SAUSSE' DRAWING(S) ENCLOSED.



M.W. SAUSSE & CO., INC.  
VALENCIA, CALIFORNIA