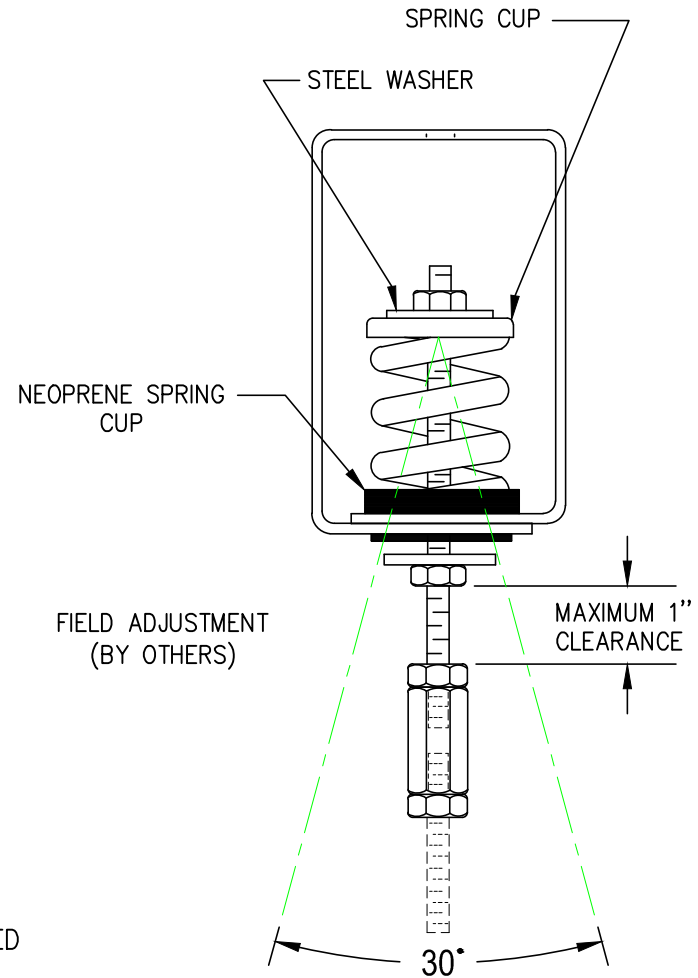
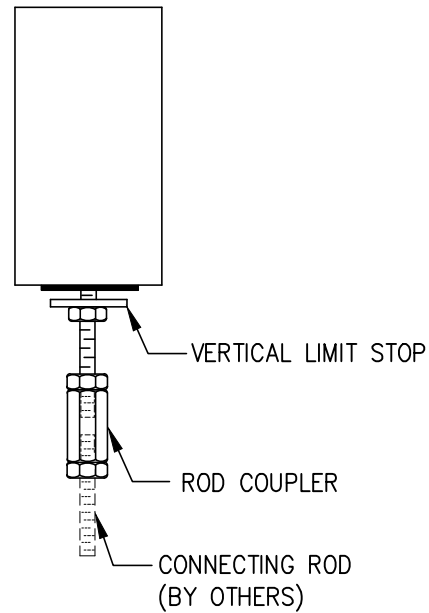


STATIC DEFLECTION: --"



1. ALL PURPOSE SPRING HANGER WITH STABLE SPRING, THREADED ROD COUPLING, VERTICAL LIMIT STOP AND 30 DEGREE ROD ANGULARITY . FIELD ADJUSTMENT BY CONTRACTOR.
2. THIS IS A TYPICAL DRAWING SUBMITTED FOR APPROVAL OF TYPE ONLY. CERTIFIED DIMENSIONAL DRAWINGS ARE AVAILABLE, UPON REQUEST, WITH RECEIPT OF APPROVED EQUIPMENT SUBMITTALS.



M. W. SAUSSÉ & CO., INC.

TYPE: **RMXA-VLS-RC**