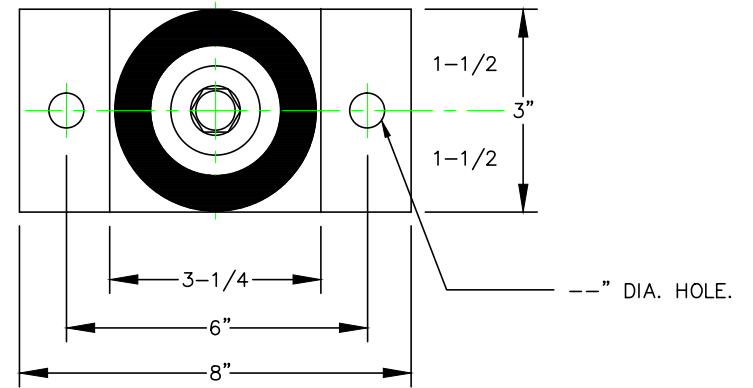
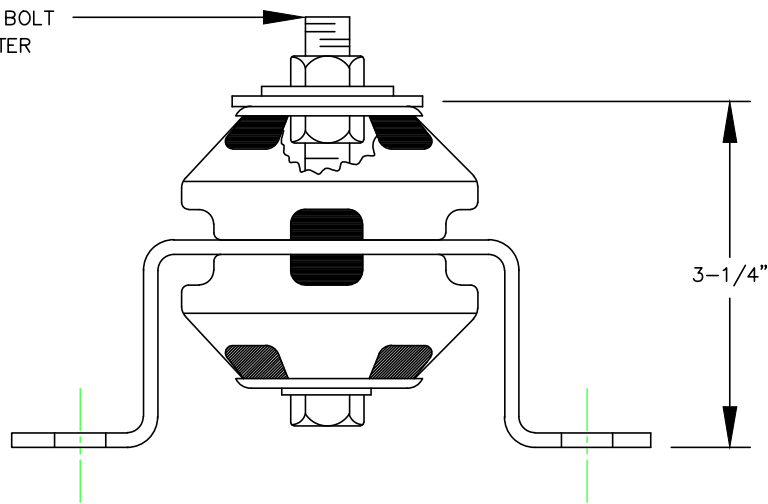
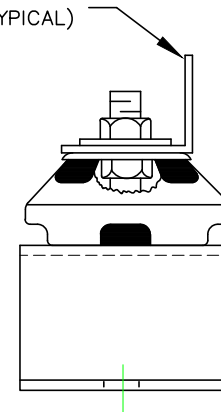


STATIC DEFLECTION:     "

MOUNTING BOLT  
"A" DIAMETER



UNIT LEG  
(TYPICAL)



THIS IS A TYPICAL DRAWING SUBMITTED FOR APPROVAL OF TYPE ONLY. CERTIFIED DIMENSIONAL DRAWINGS ARE AVAILABLE, UPON REQUEST, WITH RECEIPT OF APPROVED EQUIPMENT SUBMITTALS.

**Vibrex**  
vibration & seismic control systems

TYPE: **FUD-EQ**

M. W. SAUSSÉ & CO., INC.

28805 INDUSTRY DRIVE, VALENCIA, CA 91355  
PHONE: (661) 257-3311 FAX: (661) 257-7673