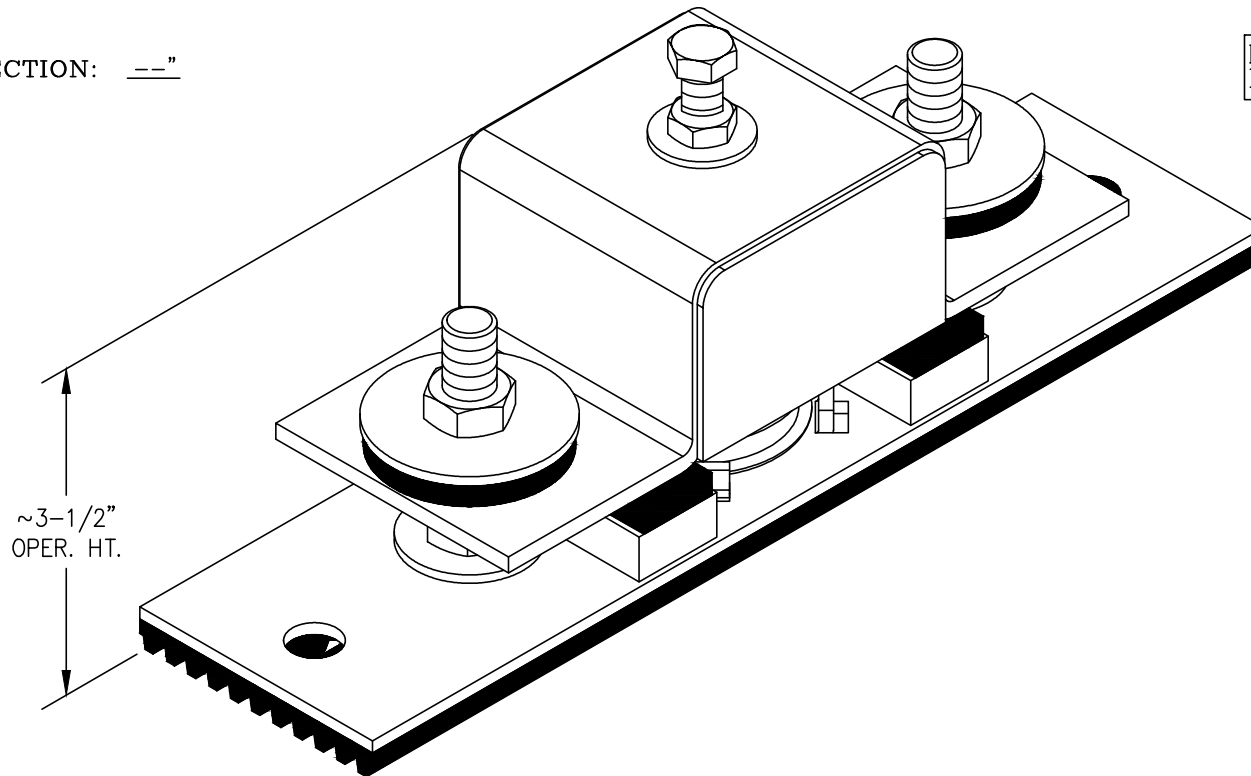


STATIC DEFLECTION: ---"

ISOLATORS ARE O.S.H.P.D.
PRE-APPROVED. # OPA-0098



NOTES:

1. COMBINATION SEISMIC RESTRAINT AND SPRING ISOLATOR COMPLETE WITH RESILIENT LIMITS STOP. GROMMETS ARE PROVIDED AROUND STABILIZER BOLTS AND NEOPRENE RIBBED ACOUSTICAL PAD IS BONDED TO UNDERSIDE OF BASE PLATE.
2. THIS IS A TYPICAL DRAWING SUBMITTED FOR APPROVAL OF TYPE ONLY. CERTIFIED DIMENSIONAL DRAWINGS ARE AVAILABLE WITH THE RECEIPT OF APPROVED EQUIPMENT SUBMITTALS.

Vibrex[®]
vibration & seismic control systems

M. W. SAUSSÉ & CO., INC.

TYPE: **RMU-EQ-SH**

28805 INDUSTRY DRIVE, VALENCIA, CA 91355
PHONE: (661) 257-3311 FAX: (661) 257-7673