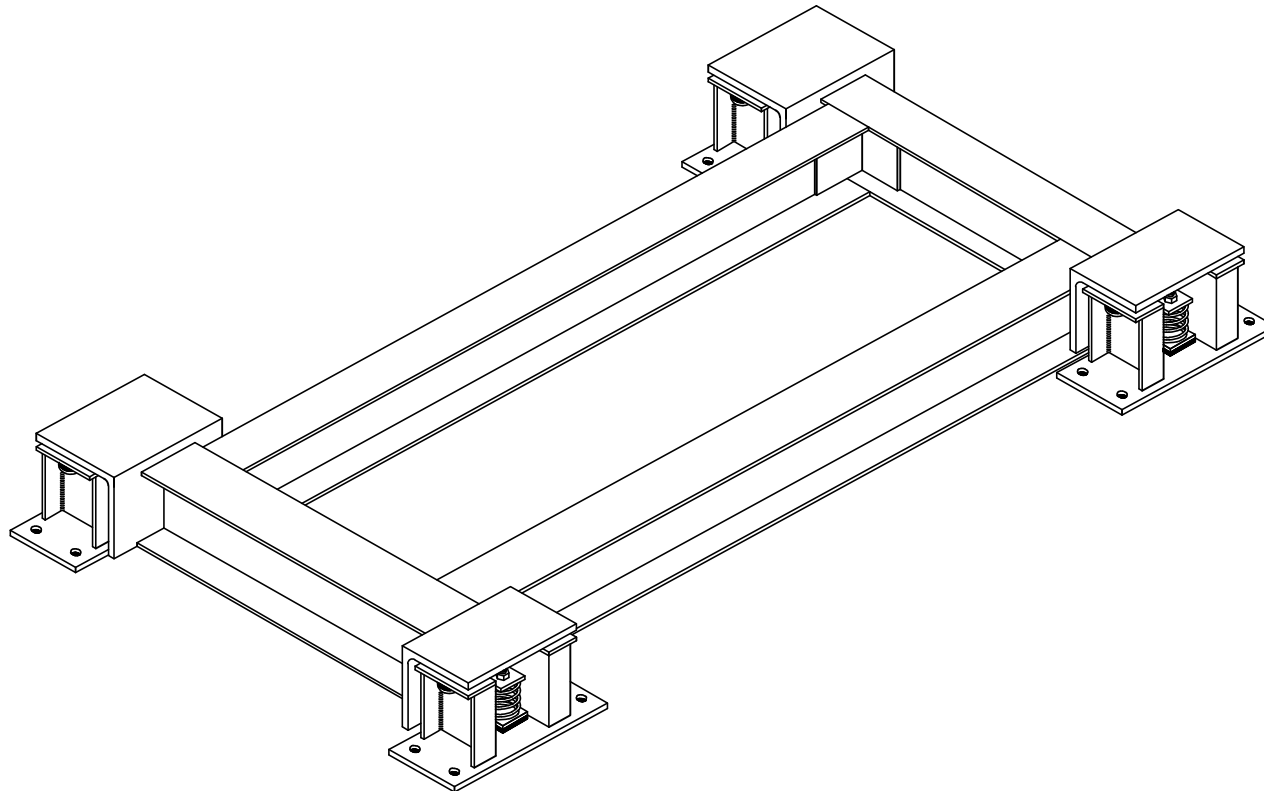


STATIC DEFLECTION: --"

ISOLATORS ARE O.S.H.P.D.  
PRE-APPROVED. # OPA-0029



1. STRUCTURAL STEEL BASE WITH HEIGHT SAVING BRACKETS.
2. THIS IS A TYPICAL DRAWING SUBMITTED FOR APPROVAL OF TYPE ONLY. CERTIFIED DIMENSIONAL DRAWINGS ARE AVAILABLE, UPON REQUEST, WITH RECEIPT OF APPROVED EQUIPMENT SUBMITTALS.

**Vibrex**  
vibration & seismic control systems

TYPE : **RMLSB-EQ**

M. W. SAUSSÉ & CO., INC.

28805 INDUSTRY DRIVE, VALENCIA, CA 91355  
PHONE: (661) 257-3311 FAX: (661) 257-7673