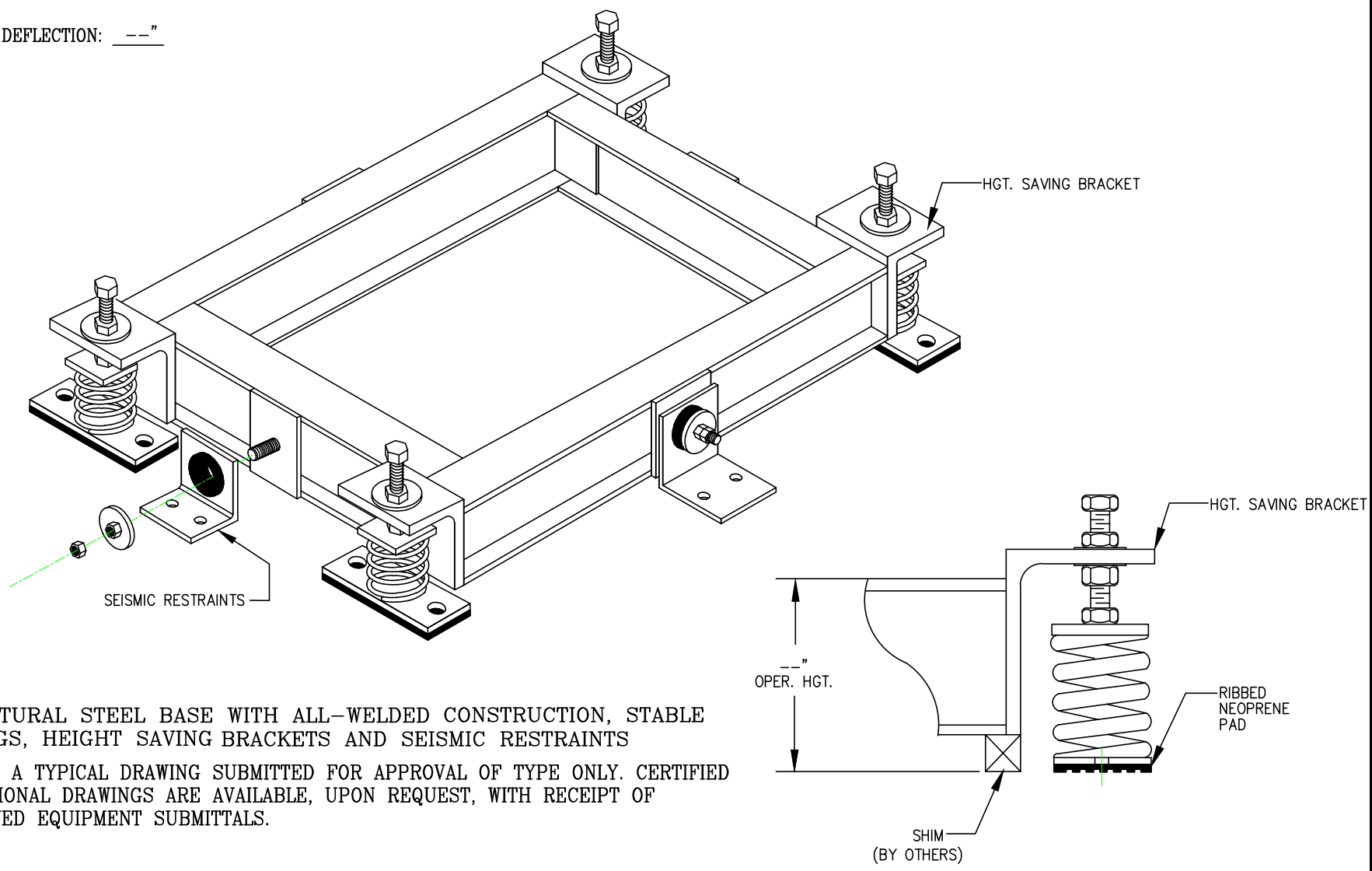


STATIC DEFLECTION: --"



1. STRUCTURAL STEEL BASE WITH ALL-WELDED CONSTRUCTION, STABLE SPRINGS, HEIGHT SAVING BRACKETS AND SEISMIC RESTRAINTS
2. THIS IS A TYPICAL DRAWING SUBMITTED FOR APPROVAL OF TYPE ONLY. CERTIFIED DIMENSIONAL DRAWINGS ARE AVAILABLE, UPON REQUEST, WITH RECEIPT OF APPROVED EQUIPMENT SUBMITTALS.



TYPE : RMSB

M. W. SAUSSÉ & CO., INC.

28805 INDUSTRY DRIVE, VALENCIA, CA 91355
PHONE: (661) 257-3311 FAX: (661) 257-7673