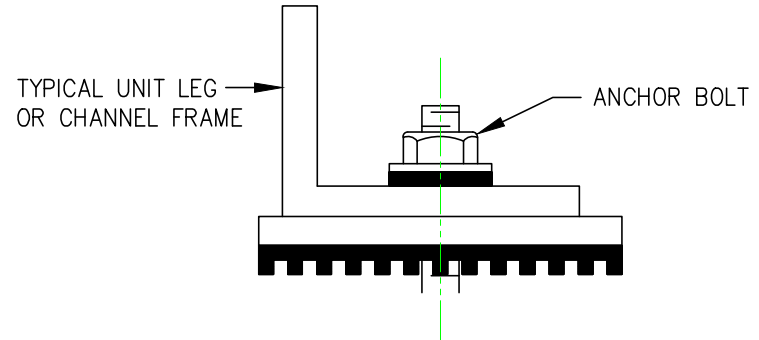
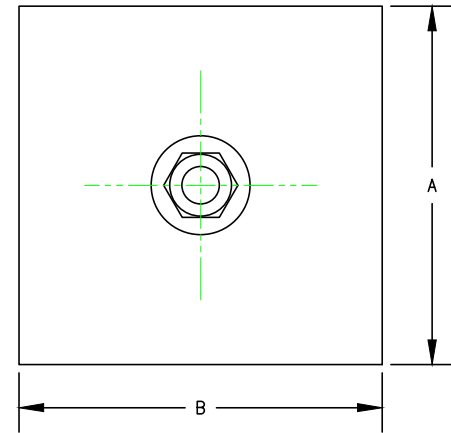


RIBBED NEOPRENE PAD WITH BEARING PLATE AND NEOPRENE GROMMET.



THIS IS A TYPICAL DRAWING SUBMITTED FOR APPROVAL OF TYPE ONLY.
 CERTIFIED DIMENSIONAL DRAWINGS ARE AVAILABLE, UPON REQUEST, WITH
 RECEIPT OF APPROVED EQUIPMENT SUBMITTALS.



TYPE : **RPG-EQ**

M. W. SAUSSÉ & CO., INC.

28805 INDUSTRY DRIVE, VALENCIA, CA 91355
 PHONE: (661) 257-3311 FAX: (661) 257-7673