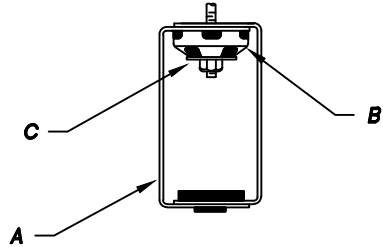


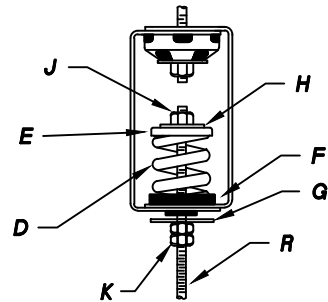
INSTALLATION INSTRUCTIONS

HXA HANGER WITH LIMIT STOP

- BEFORE ANCHORING HANGER BOX (A) TO STRUCTURE, MAKE SURE RUBBER ELEMENT (B) AND STEEL WASHER (C) ARE IN PLACE AS SHOWN.



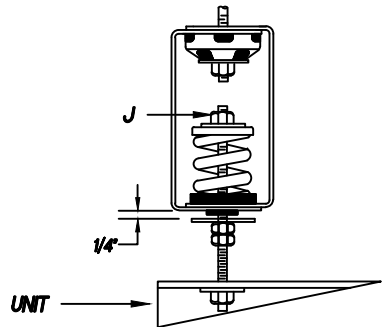
- ASSEMBLE SPRING (D) AND TOP SPRING CUP (E), INTO HANGER BOX (A). MAKE SURE SPRING IS PROPERLY SEATED IN RUBBER CUP (F). EXTEND THREADED ROD (R) THROUGH TWO JAM NUTS (K), LIMIT STOP (G), AND THE HANGER ASSEMBLY. SECURE THREADED ROD WITH WASHER (H) AND NUT (J). DO NOT TIGHTEN JAM NUTS (K) AGAINST LIMIT STOP (G) UNTIL THE FINAL ADJUSTMENTS (STEP 4) HAVE BEEN MADE.



- SECURE LOWER END OF THREADED ROD (R) TO UNIT BEING SUPPORTED. TAKE CARE THAT THREADED ROD IS CENTERED IN THE HANGER BOX BOTTOM HOLE.

- IF LEVELING IS REQUIRED, ADJUSTMENTS CAN BE MADE BY TURNING NUT (J).

- AFTER FINAL ADJUSTMENTS HAVE BEEN MADE, MOVE UP LIMIT STOP SO THAT THERE IS 1/4" CLEARANCE BETWEEN BOTTOM OF HANGER AND LIMIT STOP AS SHOWN. LOCK THE TWO JAM NUTS IN PLACE AGAINST LIMIT STOP.



<i>JOB NAME:</i>	<i>SERIES NO.:</i>		
<i>CUST.:</i>	M.W. SAUSSÉ & CO., INC.		
<i>CUST. P.O.:</i>	VALENCIA, CALIFORNIA 91355		
<i>MECH. ENGR.:</i>	VIBREX TYPE HXA		
<i>CONTR.:</i>	<i>DRN.:</i>	<i>CHK.:</i>	<i>SCALE:</i>
<i>MARK:</i>	<i>DATE:</i>	<i>NO.:</i>	